

Air-Guard Bronze Filter 20 SCFM



9313 SERIES

- Provides clean, dry and oil-free compressed air
- Long life cartridges reduce filter maintenance
- Rugged bronze construction for marine applications
- Air-conserving automatic, sump discharges only when needed

SPECIFICATIONS

| | |
|------------------|------------------------------------|
| Maximum pressure | 150 psi |
| Rated flow | 20 scfm @ 100 psig |
| Connections | 1/2" NPT |
| Filter type | Dual cartridge coalescing elements |
| Housing | Bronze |
| Efficiency | 99.98% of 0.1 micron or greater |
| Weight | 15.0 lb/7 kg |

APPLICATIONS

- Tank level and draft indicating systems for the marine and offshore industries
- Marine
 - Tank level, draft monitoring and vessel management
 - Ballast water
 - Fuel oil
 - Fresh water
 - Lube oil
 - Brine
 - Preload
 - Holding

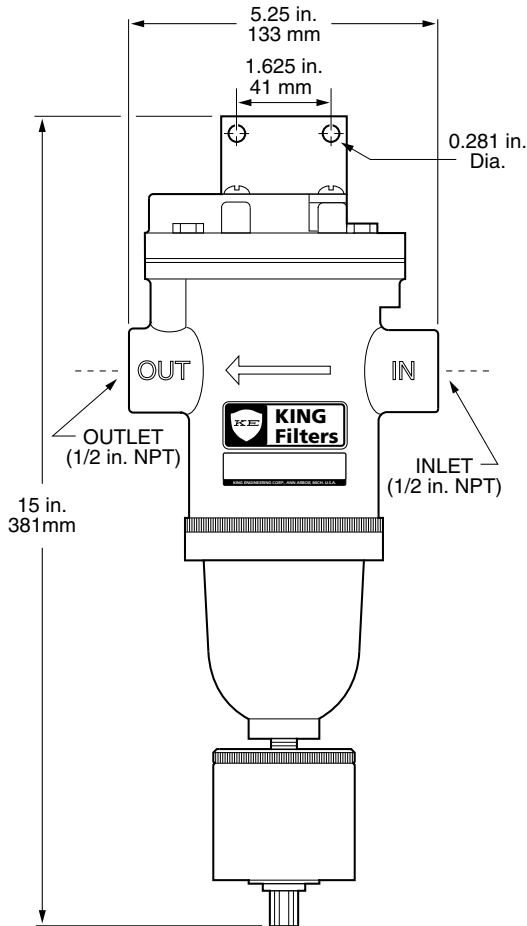
| ORDERING INFORMATION | | |
|----------------------|--------------------------------------|--------------------------|
| SERIES | 9313 Air-Guard Bronze Filter 20 SCFM | |
| DRAIN TYPES | 24 With manual drain | 24T With auto drain |
| EFFICIENCY | 1-1 98% @ 2.0 micron | 6-5 99.998% @ 0.1 micron |

NOTE: Type 750/800 cartridge set included with 6-5 efficiency model,
Type 300/300 cartridge set included with the 1-1 efficiency model

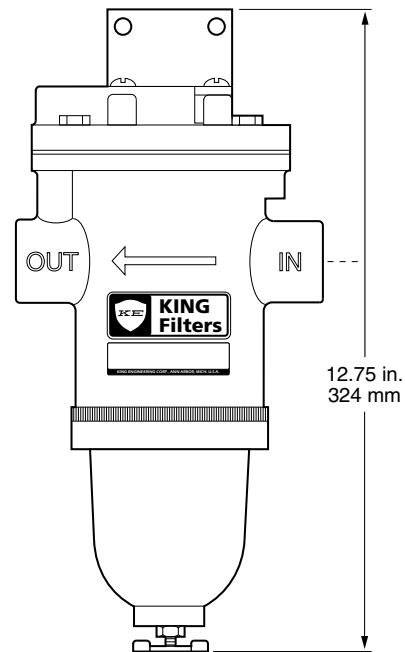
EXAMPLE

Series9313 Series
 Drain type With auto drain
 Efficiency 98% @ 2.0 micron

9313 - 24T - 1-1



**Air-Guard Filter
with Automatic Drain
Model 9313-24T**



**Air-Guard Filter
with Manual Petcock Drain
Model 9313-24**

| Replacement Cartridge Sets |
|--|
| A22-11-6-5 - Type 750/800 (0.1 micron) |
| A22-11-1-1 - Type 300/300 (2.0 micron) |